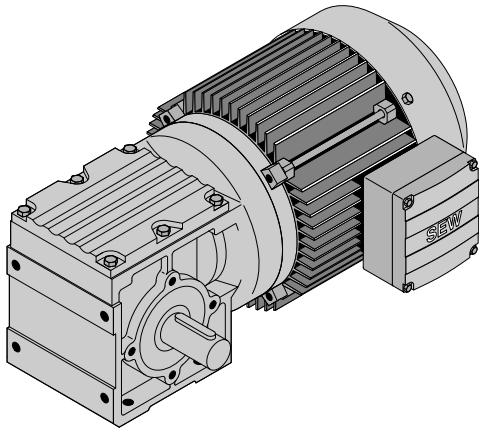
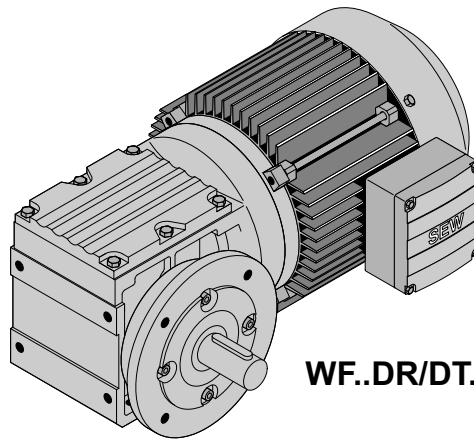


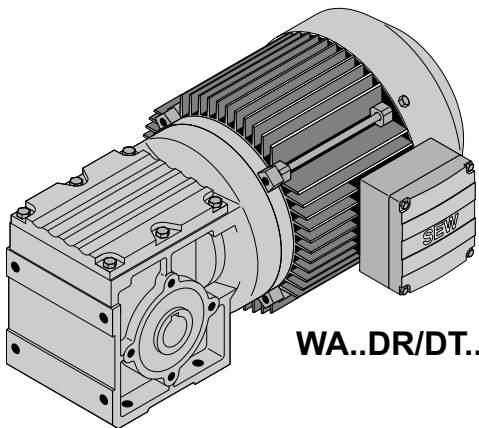
7 Spiroplan® Gearmotors
7.1 Variants



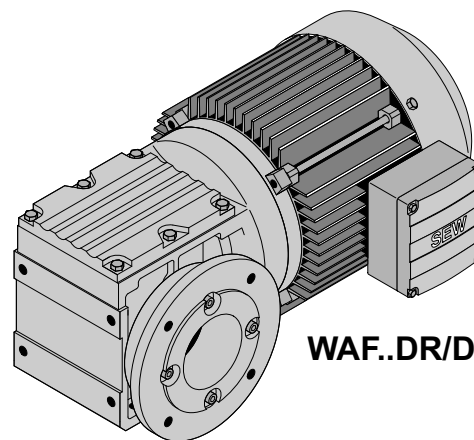
W..DR/DT..



WF..DR/DT..

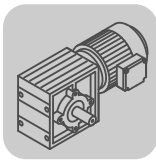


WA..DR/DT..



WAF..DR/DT..

59625AXX

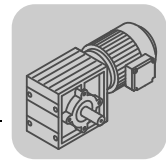


7.2 Permitted combinations

W10, n_e = 1400 1/min					25 Nm
n _a [1/min]	M _{amax} [Nm]	F _{Ra} [N]	φ (/R) [']	i	DT56
19	25	1800	-	75.00*	
23	25	1800	-	60.00*	
29	25	1800	-	48.00*	
36	25	1800	-	39.00*	
43	25	1800	-	32.50*	
51	24	1800	-	27.50*	
57	25	1800	-	24.50*	
72	25	1800	-	19.50*	
85	20	1800	-	16.50*	
98	22	1800	-	14.33	
137	13	1800	-	10.25*	
171	12	1800	-	8.20*	
213	12	1720	-	6.57	

W20, n_e = 1400 1/min					40 Nm
n _a [1/min]	M _{amax} [Nm]	F _{Ra} [N]	φ (/R) [']	i	DR63 DT71
19	40	2200	-	75.00*	
23	40	2200	-	60.00*	
29	40	2200	-	48.00*	
36	40	2200	-	39.00*	
43	40	2200	-	32.50*	
51	40	2200	-	27.50*	
57	40	2200	-	24.50*	
72	35	2200	-	19.50*	
85	30	2200	-	16.50*	
98	30	2110	-	14.33	
137	25	1920	-	10.25*	
171	20	1830	-	8.20*	
213	20	1720	-	6.57	

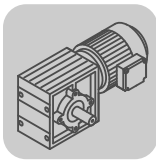
W30, n_e = 1400 1/min					70 Nm	
n _a [1/min]	M _{amax} [Nm]	F _{Ra} [N]	φ (/R) [']	i	DR63 DT71	DT80
19	70	3000	-	75.00*		
23	70	3000	-	60.00*		
29	70	3000	-	48.00*		
36	70	3000	-	39.00*		
43	70	3000	-	32.50*		
51	70	3000	-	27.50*		
57	70	3000	-	24.50*		
72	70	3000	-	19.50*		
86	60	3000	-	16.33		
98	60	3000	-	14.33		
137	50	2950	-	10.25*		
171	40	2810	-	8.20*		
213	40	2610	-	6.57		



7.3 Selection tables [kW]

P _m [kW]	n _a [1/min]	M _a [Nm]	i	F _{Ra} ¹⁾ [N]	SEW f _B					m [kg]			
						W	WF	WA	WAF			DT	DR
0.09	17	20	75.00*	1800	1.25								
	22	18	60.00*	1800	1.45								
	27	16	48.00*	1800	1.55								
	33	15	39.00*	1800	1.70								
	40	13	32.50*	1800	1.90								
	47	12	27.50*	1800	2.1	W	10		DT	56M4	5.3	527	
	53	11	24.50*	1800	2.3	WF	10		DT	56M4	5.5	528	
	67	9.4	19.50*	1800	2.7	WA	10		DT	56M4	5.3	529	
	79	8.4	16.50*	1800	2.4	WAF	10		DT	56M4	5.5	528	
	91	7.6	14.33	1800	2.9								
	127	5.8	10.25*	1800	2.2								
	159	4.8	8.20*	1800	2.5								
	198	4.0	6.57	1800	3.0								
0.12	12	40	75.00*	3000	1.75	W	30		DR	63M6	9.1	533	
	15	38	60.00*	3000	1.85	WF	30		DR	63M6	9.4	534	
	28	25	32.50*	3000	2.8	WA	30		DR	63M6	8.8	535	
	33	24	27.50*	3000	3.0	WAF	30		DR	63M6	9.1	534	
	18	28	75.00*	3000	2.5	W	30		DR	63S4	9.1	533	
	23	26	60.00*	3000	2.7	WF	30		DR	63S4	9.4	534	
	29	23	48.00*	3000	3.1	WA	30		DR	63S4	8.8	535	
	35	21	39.00*	3000	3.4	WAF	30		DR	63S4	9.1	534	
	42	17	32.50*	3000	4.1								
	12	36	75.00*	2200	1.10	W	20		DR	63M6	6.6	530	
	15	32	60.00*	2200	1.25	WF	20		DR	63M6	6.8	531	
	28	27	32.50*	2200	1.50	WA	20		DR	63M6	6.3	532	
	33	22	27.50*	2200	1.80	WAF	20		DR	63M6	6.3	531	
	18	25	75.00*	2200	1.60								
	23	22	60.00*	2200	1.80								
	29	20	48.00*	2200	1.95								
	35	19	39.00*	2200	2.2								
	42	18	32.50*	2200	2.2	W	20		DR	63S4	6.6	530	
	50	15	27.50*	2200	2.6	WF	20		DR	63S4	6.8	531	
	56	14	24.50*	2200	2.9	WA	20		DR	63S4	6.3	532	
	71	12	19.50*	2200	2.9	WAF	20		DR	63S4	6.3	531	
	84	10	16.50*	2200	2.9								
	96	9.5	14.33	2200	3.2								
	135	7.2	10.25*	2140	3.5								
	168	5.9	8.20*	1990	3.4								
	210	4.9	6.57	1890	4.1								
	17	27	75.00*	1800	0.95								
	22	23	60.00*	1800	1.05								
	27	21	48.00*	1800	1.15								
	33	20	39.00*	1800	1.30								
	40	18	32.50*	1800	1.40								
	47	16	27.50*	1800	1.55	W	10		DT	56L4	5.3	527	
	53	15	24.50*	1800	1.70	WF	10		DT	56L4	5.5	528	
67	13	19.50*	1800	2.0	WA	10		DT	56L4	5.3	529		
79	11	16.50*	1800	1.80	WAF	10		DT	56L4	5.5	528		
91	10	14.33	1800	2.2									
127	7.7	10.25*	1800	1.70									
159	6.3	8.20*	1800	1.90									
198	5.3	6.57	1800	2.3									
0.18	12	62	75.00*	3000	1.15	W	30		DR	63L6	9.8	533	
	15	58	60.00*	3000	1.20	WF	30		DR	63L6	10	534	
	27	39	32.50*	3000	1.80	WA	30		DR	63L6	9.5	535	
	32	37	27.50*	3000	1.90	WAF	30		DR	63L6	9.8	534	

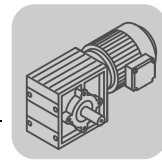
7



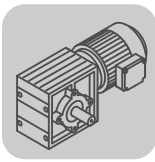
Spiroplan® Gearmotors

Selection tables [kW]

P_m [kW]	n_a [1/min]	M_a [Nm]	i	$F_{Ra}^{1)}$ [N]	SEW f_B					m [kg]		
0.18	18	44	75.00*	3000	1.60							
	22	40	60.00*	3000	1.75							
	28	35	48.00*	3000	2.0							
	34	32	39.00*	3000	2.2							
	41	27	32.50*	3000	2.6							
	48	25	27.50*	3000	2.8	W	30	DR	63M4	9.1	533	
	54	23	24.50*	3000	3.0	WF	30	DR	63M4	9.4	534	
	68	20	19.50*	3000	3.6	WA	30	DR	63M4	8.8	535	
	81	17	16.33	3000	3.6	WAF	30	DR	63M4	9.1	534	
	92	15	14.33	3000	3.9							
	129	12	10.25*	3000	4.3							
	161	9.5	8.20*	3000	4.2							
	201	7.9	6.57	2950	5.1							
	111	12	24.50*	3000	5.9							
	139	9.9	19.50*	3000	7.1	W	30	DR	63S2	9.1	533	
	167	8.5	16.33	3000	7.1	WF	30	DR	63S2	9.4	534	
	190	7.7	14.33	3000	7.8	WA	30	DR	63S2	8.8	535	
	265	5.7	10.25*	2710	8.8	WAF	30	DR	63S2	9.1	534	
	332	4.7	8.20*	2520	8.5							
	15	49	60.00*	2200	0.80	W	20	DR	63L6	7.3	530	
	32	35	27.50*	2200	1.15	WF	20	DR	63L6	7.4	531	
	45	27	19.50*	2200	1.30	WA	20	DR	63L6	7.0	532	
						WAF	20	DR	63L6	7.0	531	
	18	39	75.00*	2200	1.00							
	22	34	60.00*	2200	1.15							
	28	32	48.00*	2200	1.25							
	34	29	39.00*	2200	1.40							
	41	28	32.50*	2200	1.40							
	48	24	27.50*	2200	1.70	W	20	DR	63M4	6.6	530	
	54	22	24.50*	2200	1.85	WF	20	DR	63M4	6.8	531	
	68	19	19.50*	2200	1.90	WA	20	DR	63M4	6.3	532	
	80	16	16.50*	2200	1.85	WAF	20	DR	63M4	6.3	531	
	92	15	14.33	2200	2.0							
129	11	10.25*	2110	2.2								
161	9.2	8.20*	1970	2.2								
201	7.7	6.57	1890	2.6								
111	11	24.50*	2200	3.6								
139	9.4	19.50*	2070	3.7	W	20	DR	63S2	6.6	530		
165	8.2	16.50*	1970	3.7	WF	20	DR	63S2	6.8	531		
190	7.5	14.33	1890	4.0	WA	20	DR	63S2	6.3	532		
265	5.6	10.25*	1710	4.5	WAF	20	DR	63S2	6.3	531		
332	4.6	8.20*	1590	4.4								
0.25	12	86	75.00*	3000	0.80	W	30	DT	71D6	11	533	
	15	80	60.00*	3000	0.90	WF	30	DT	71D6	11	534	
	27	53	32.50*	3000	1.30	WA	30	DT	71D6	10	535	
	36	47	24.50*	3000	1.50	WAF	30	DT	71D6	11	534	
	45	40	19.50*	3000	1.75							
	17	62	75.00*	3000	1.15							
	22	57	60.00*	3000	1.25							
	27	50	48.00*	3000	1.40							
	33	45	39.00*	3000	1.55							
	40	38	32.50*	3000	1.85	W	30	DR	63L4	9.8	533	
	47	35	27.50*	3000	2.0	WF	30	DR	63L4	10	534	
	53	33	24.50*	3000	2.1	WA	30	DR	63L4	9.5	535	
	67	28	19.50*	3000	2.5	WAF	30	DR	63L4	9.8	534	
	80	24	16.33	3000	2.5							
	91	22	14.33	3000	2.8							
	127	16	10.25*	3000	3.1							
	159	13	8.20*	3000	3.0							
	198	11	6.57	2940	3.6							
	109	17	24.50*	3000	4.2							
	136	14	19.50*	3000	5.0	W	30	DR	63M2	9.1	533	
	163	12	16.33	3000	5.0	WF	30	DR	63M2	9.4	534	
	186	11	14.33	3000	5.5	WA	30	DR	63M2	8.8	535	
	260	8.1	10.25*	2700	6.2	WAF	30	DR	63M2	9.1	534	
	324	6.6	8.20*	2520	6.1							



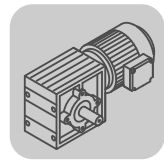
P_m [kW]	n_a [1/min]	M_a [Nm]	i	$F_{Ra}^{1)}$ [N]	SEW f_B		m [kg]		
0.25	32	48	27.50*	2200	0.85				
	36	43	24.50*	2200	0.90				
	45	37	19.50*	2200	0.95				
	61	30	14.33	2200	1.00				
	86	23	10.25*	2200	1.10				
	107	19	8.20*	2130	1.05				
	134	15	6.57	2100	1.35				
	22	48	60.00*	2200	0.85				
	27	45	48.00*	2200	0.90				
	33	41	39.00*	2200	1.00				
	40	40	32.50*	2200	1.00				
	47	34	27.50*	2200	1.20				
	53	30	24.50*	2200	1.30	W 20	DR 63L4	7.3	530
	67	26	19.50*	2200	1.35	WF 20	DR 63L4	7.4	531
	79	23	16.50*	2200	1.30	WA 20	DR 63L4	7.0	532
	91	21	14.33	2200	1.45	WAF 20	DR 63L4	7.0	531
	127	16	10.25*	2050	1.60				
	159	13	8.20*	1920	1.55				
	198	11	6.57	1870	1.85				
	82	21	32.50*	2200	1.95				
	97	17	27.50*	2200	2.3				
	109	16	24.50*	2150	2.6	W 20	DR 63M2	6.6	530
	136	13	19.50*	2020	2.6	WF 20	DR 63M2	6.8	531
	161	12	16.50*	1930	2.6	WA 20	DR 63M2	6.3	532
	186	11	14.33	1860	2.8	WAF 20	DR 63M2	6.3	531
	260	7.9	10.25*	1680	3.2				
	324	6.5	8.20*	1570	3.1				
	0.37	18	86	75.00*	3000	0.80			
		23	80	60.00*	3000	0.90			
		29	69	48.00*	3000	1.00			
		35	63	39.00*	3000	1.10			
		42	53	32.50*	3000	1.30			
50		49	27.50*	3000	1.40				
56		46	24.50*	3000	1.55				
71		39	19.50*	3000	1.80				
84		33	16.33	3000	1.80				
96		30	14.33	3000	2.0				
135		23	10.25*	3000	2.2				
168		19	8.20*	3000	2.1				
210		16	6.57	2840	2.6				
108		25	24.50*	3000	2.8				
136		21	19.50*	3000	3.4				
162		18	16.33	3000	3.4	W 30	DR 63L2	9.8	533
185		16	14.33	2940	3.7	WF 30	DR 63L2	10	534
259		12	10.25*	2660	4.1	WA 30	DR 63L2	9.5	535
323		9.9	8.20*	2480	4.0	WAF 30	DR 63L2	9.8	534
50		47	27.50*	2200	0.85				
56		43	24.50*	2200	0.95				
71		37	19.50*	2190	0.95				
84		32	16.50*	2110	0.95				
96		29	14.33	2070	1.00	W 20	DT 71D4	8.2	530
135		22	10.25*	1900	1.15	WF 20	DT 71D4	8.4	531
168		18	8.20*	1800	1.10	WA 20	DT 71D4	7.9	532
210		15	6.57	1780	1.30	WAF 20	DT 71D4	7.9	531
108		23	24.50*	2030	1.70				
136		20	19.50*	1920	1.75				
161		17	16.50*	1840	1.75	W 20	DR 63L2	7.3	530
185		16	14.33	1780	1.90	WF 20	DR 63L2	7.4	531
259		12	10.25*	1630	2.1	WA 20	DR 63L2	7.0	532
323	9.6	8.20*	1530	2.1	WAF 20	DR 63L2	7.0	531	



Spiroplan® Gearmotors

Selection tables [kW]

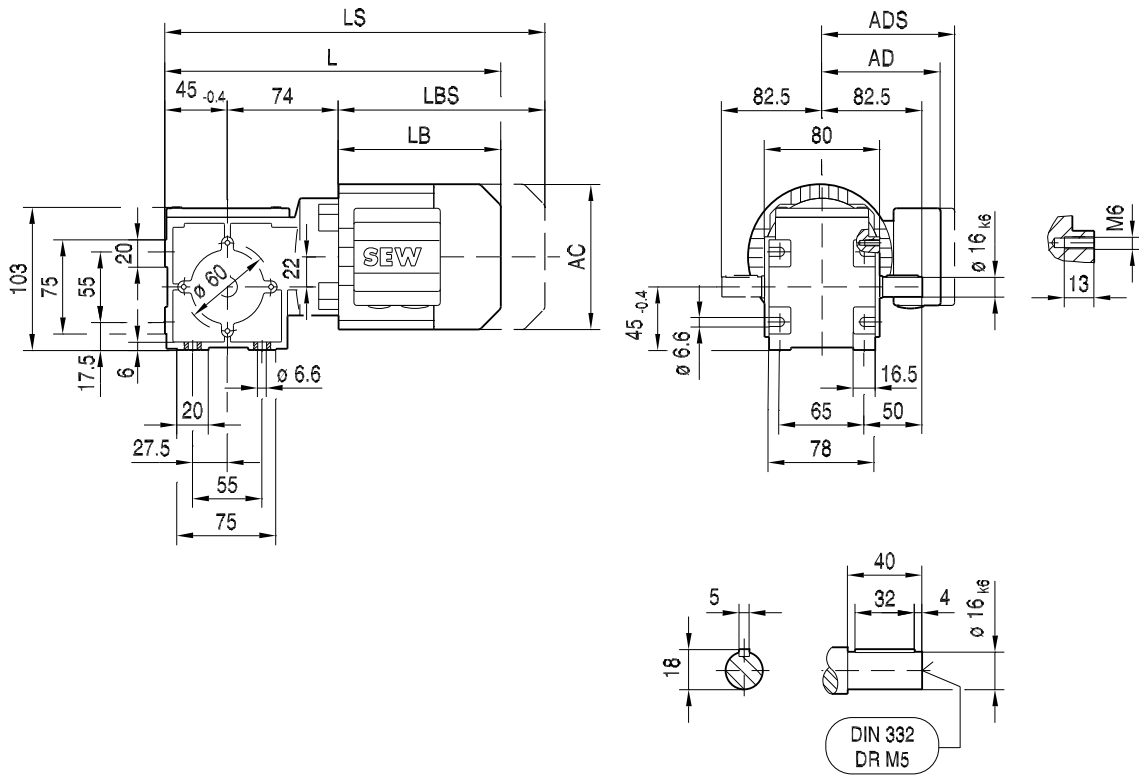
P_m [kW]	n_a [1/min]	M_a [Nm]	i	$F_{Ra}^{1)}$ [N]	SEW f_B					m [kg]	
0.55	42	84	32.50*	3000	0.85						
	49	74	27.50*	3000	0.95						
	56	69	24.50*	3000	1.00	W	30	DT	80K4	12	533
	83	50	16.33	3000	1.20	WF	30	DT	80K4	13	534
	95	46	14.33	3000	1.30	WA	30	DT	80K4	12	535
	133	34	10.25*	3000	1.45	WAF	30	DT	80K4	12	534
	166	28	8.20*	2910	1.40						
	207	24	6.57	2780	1.70						
	110	36	24.50*	3000	1.95						
	138	31	19.50*	3000	2.3	W	30	DT	71D2	11	533
	165	26	16.33	2930	2.3	WF	30	DT	71D2	11	534
	188	24	14.33	2830	2.5	WA	30	DT	71D2	10	535
	263	18	10.25*	2570	2.8	WAF	30	DT	71D2	11	534
	329	14	8.20*	2410	2.8						
	110	34	24.50*	1830	1.20						
	138	29	19.50*	1750	1.20	W	20	DT	71D2	8.2	530
	164	25	16.50*	1700	1.20	WF	20	DT	71D2	8.4	531
	188	23	14.33	1660	1.30	WA	20	DT	71D2	7.9	532
	263	17	10.25*	1530	1.45	WAF	20	DT	71D2	7.9	531
	329	14	8.20*	1450	1.40						
0.75	84	68	16.33	3000	0.90	W	30	DT	80N4	14	533
	96	61	14.33	3000	1.00	WF	30	DT	80N4	14	534
	135	46	10.25*	2940	1.10	WA	30	DT	80N4	13	535
	168	38	8.20*	2780	1.05	WAF	30	DT	80N4	14	534
	210	32	6.57	2690	1.25						
	98	53	27.50*	3000	1.30						
	110	49	24.50*	3000	1.40	W	30	DT	80K2	12	533
	165	36	16.33	2810	1.70	WF	30	DT	80K2	13	534
	188	32	14.33	2730	1.85	WA	30	DT	80K2	12	535
	263	24	10.25*	2500	2.1	WAF	30	DT	80K2	12	534
	329	20	8.20*	2350	2.0						
	1.1	165	52	16.33	2600	1.15	W	30	DT	80N2	14
188		47	14.33	2550	1.25	WF	30	DT	80N2	14	534
263		35	10.25*	2370	1.40	WA	30	DT	80N2	13	535
329		29	8.20*	2240	1.40	WAF	30	DT	80N2	14	534



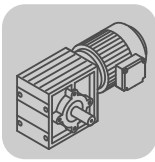
7.4 Dimension sheets [mm]

20 001 01 01

W10..



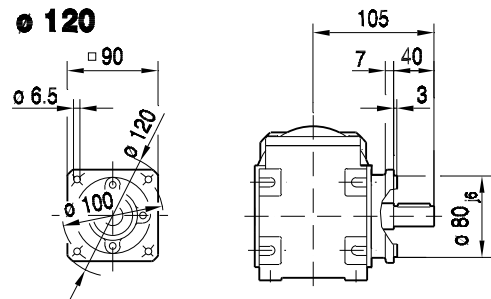
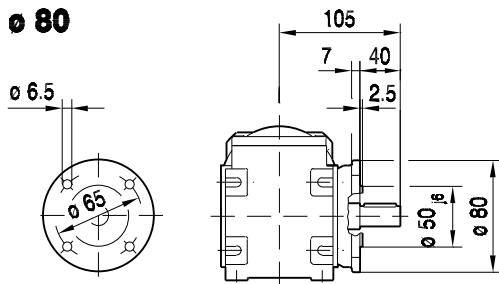
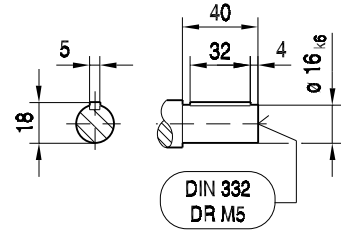
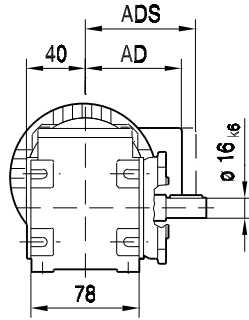
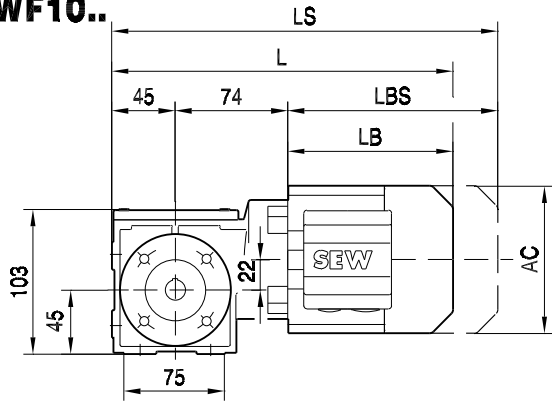
(→ 14)	DT56..												
AC	109												
AD	87												
ADS	87												
L	255												
LS	291												
LB	136												
LBS	172												



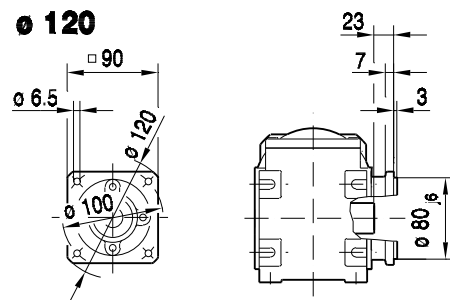
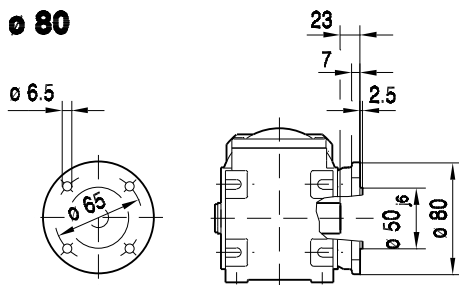
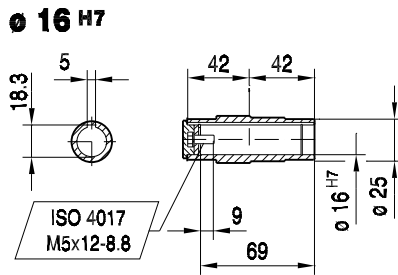
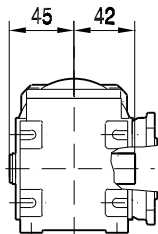
Spiroplan® Gearmotors
Dimension sheets [mm]

WF10..

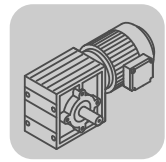
20 004 01 01



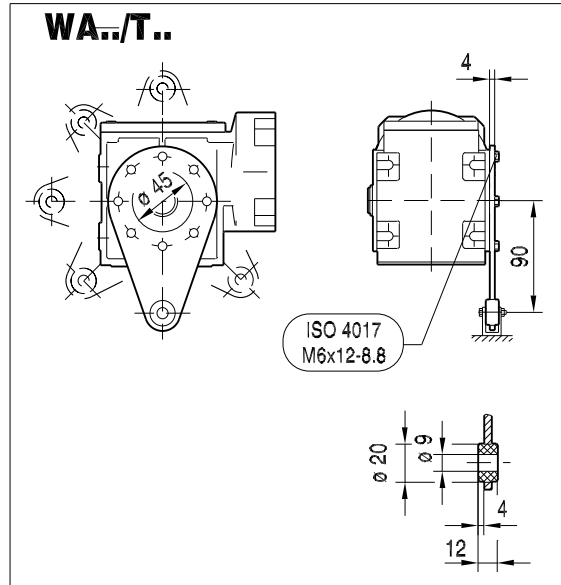
WAF10..



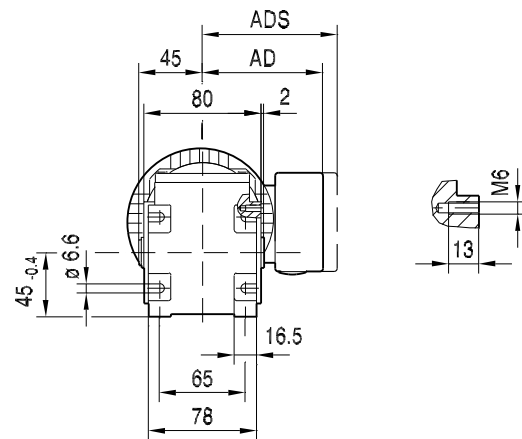
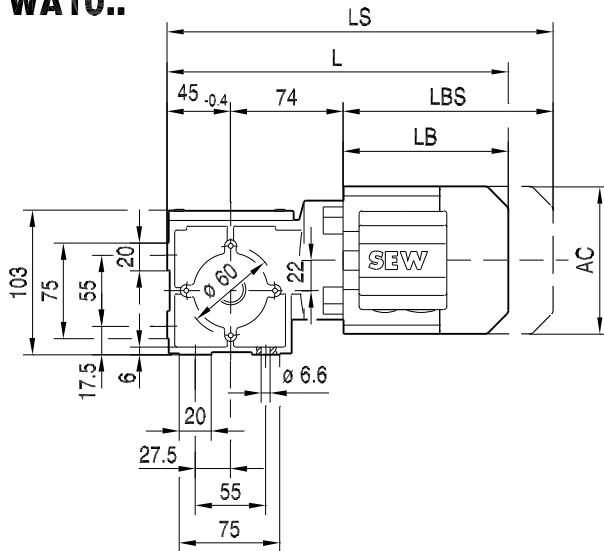
(→ 14)	DT56..																		
AC	109																		
AD	87																		
ADS	87																		
L	255																		
LS	291																		
LB	136																		
LBS	172																		



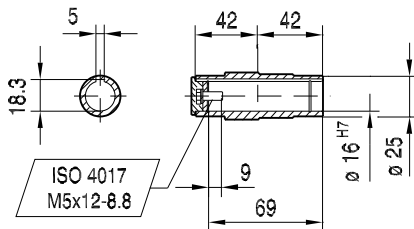
20 007 01 01



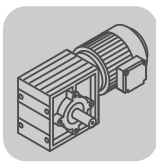
WA10..



Ø 16 H7



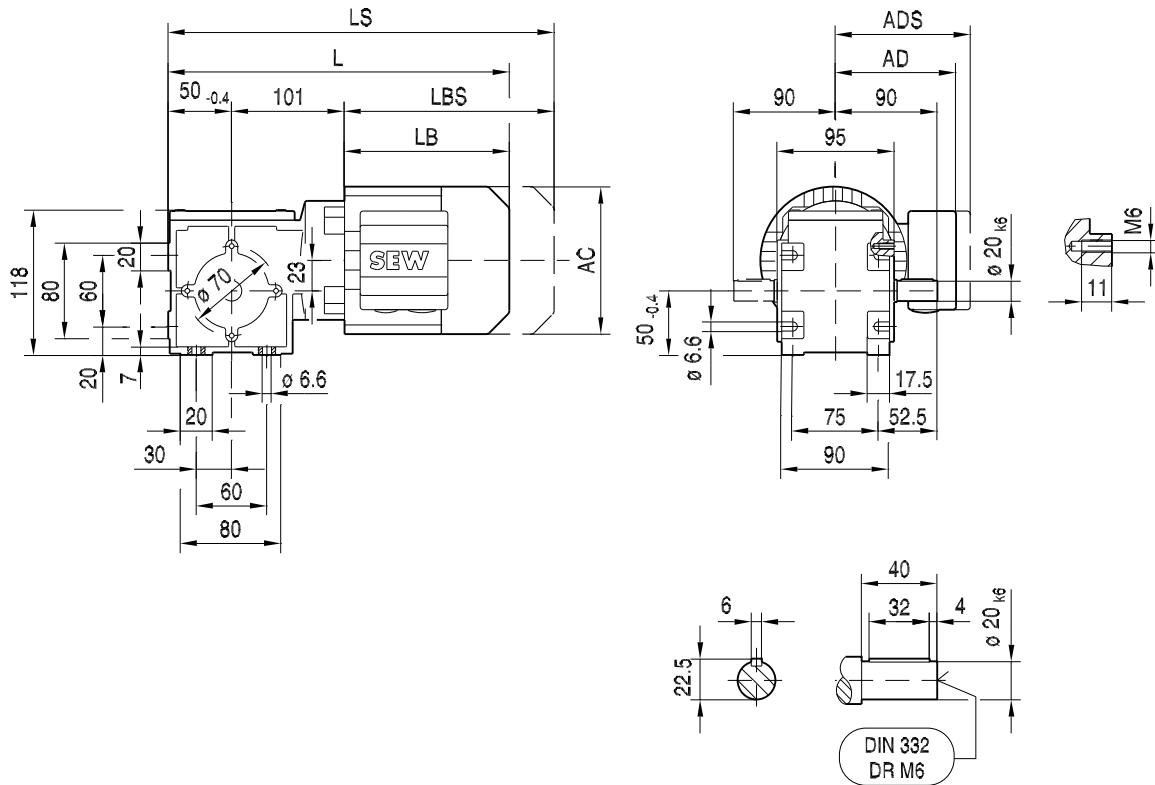
(→ 14)	DT56..									
AC	109									
AD	87									
ADS	87									
L	255									
LS	291									
LB	136									
LBS	172									



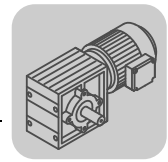
Spiroplan® Gearmotors
Dimension sheets [mm]

20 002 03 01

W20..

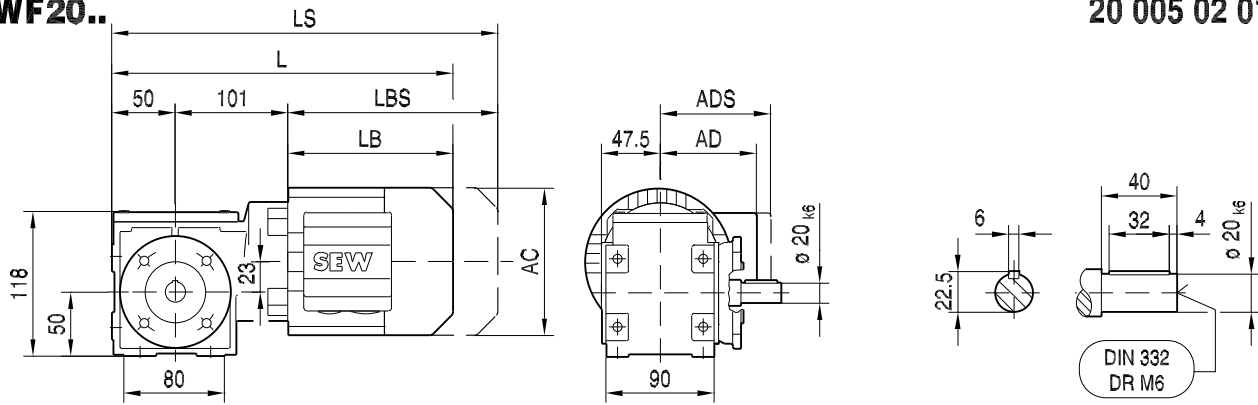


(→ 14)	DR63..	DT71D										
AC	132	145										
AD	105	122										
ADS	105	127										
L	300	315										
LS	355	378										
LB	149	164										
LBS	204	227										

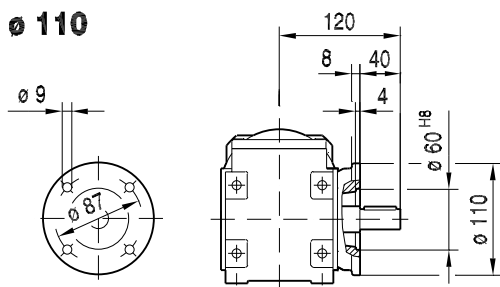


WF20..

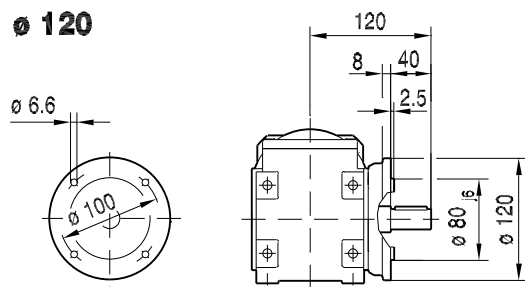
20 005 02 01



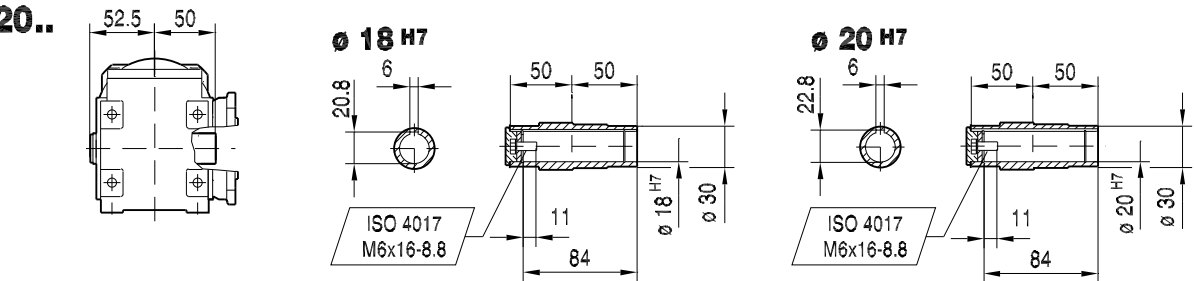
∅ 110



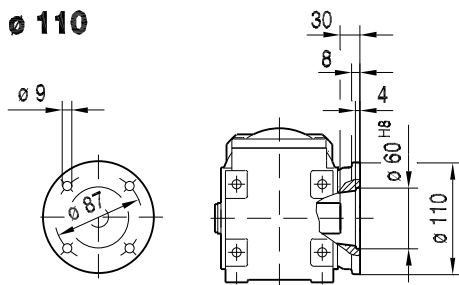
∅ 120



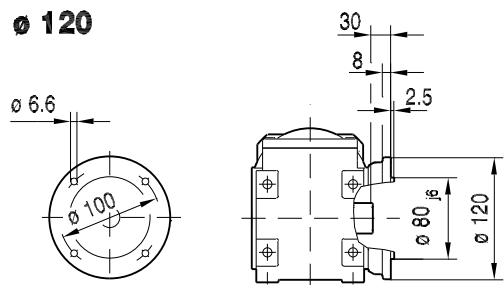
WAF20..



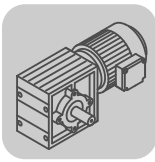
∅ 110



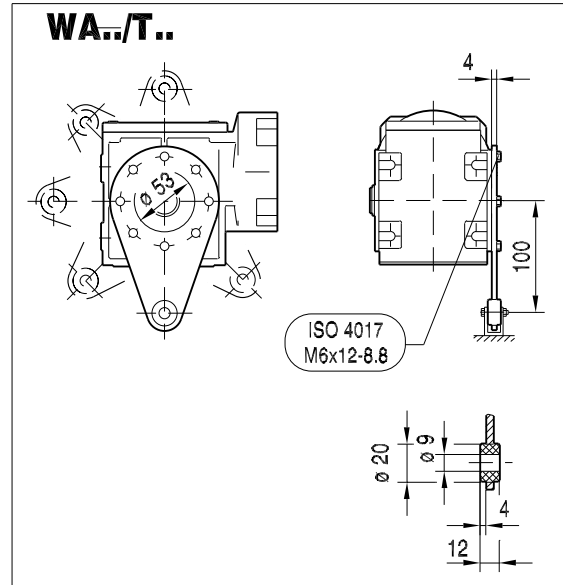
∅ 120



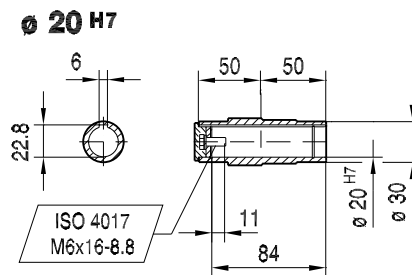
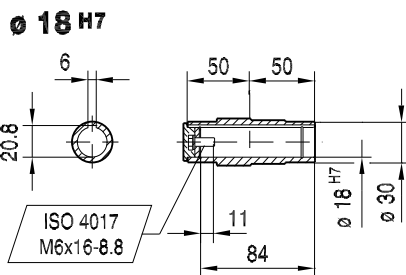
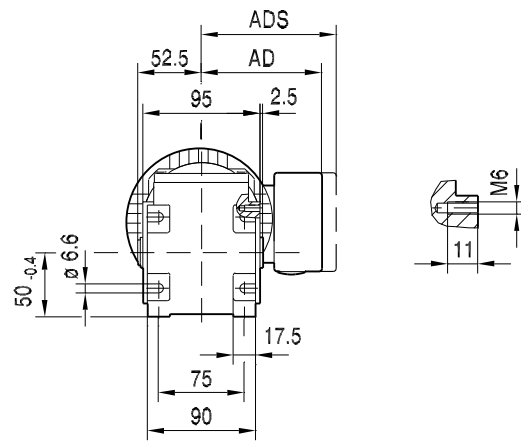
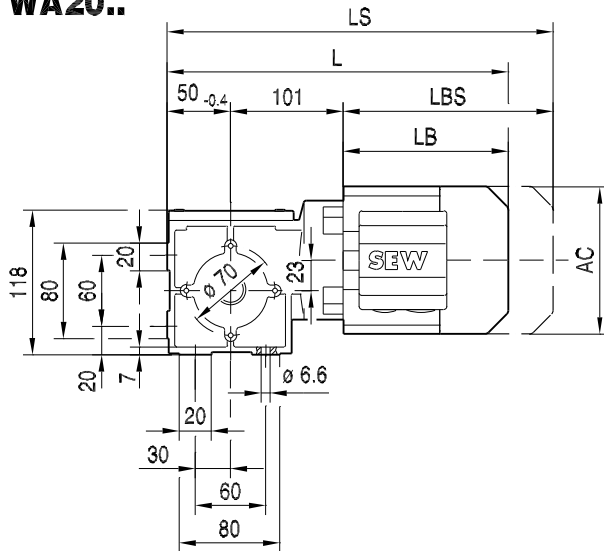
(→ 14)	DR63..	DT71D											
AC	132	145											
AD	105	122											
ADS	105	127											
L	300	315											
LS	355	378											
LB	149	164											
LBS	204	227											



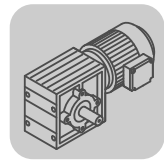
20 008 03 01



WA20..

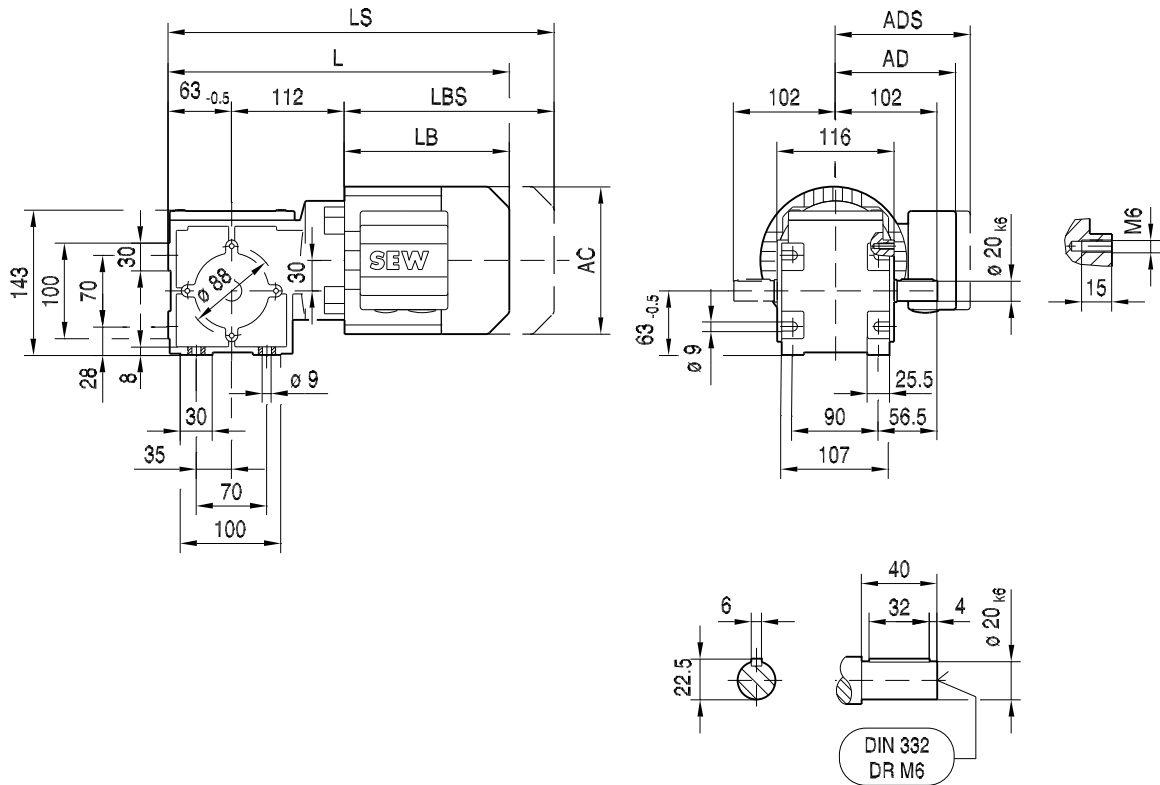


(→ 14)	DR63..	DT71D								
AC	132	145								
AD	105	122								
ADS	105	127								
L	300	315								
LS	355	378								
LB	149	164								
LBS	204	227								



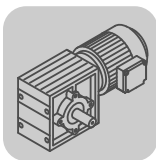
W30..

20 003 03 01



7

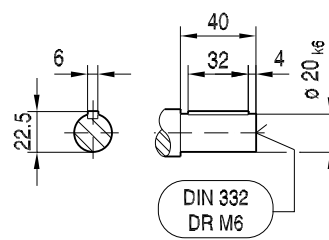
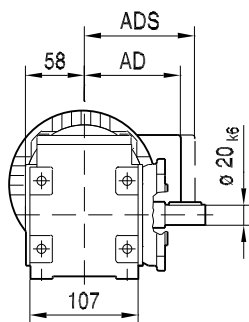
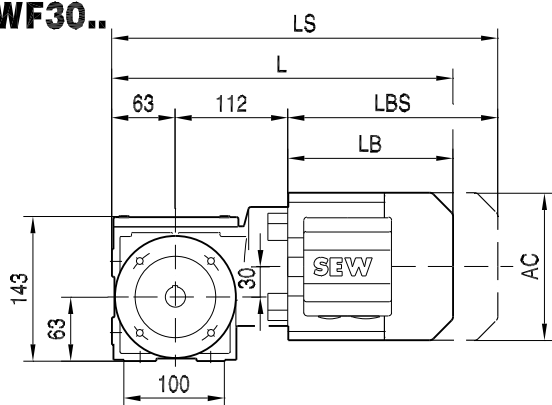
(→ 14)	DR63..	DT71D	DT80..							
AC	132	145	145							
AD	105	122	122							
ADS	105	127	127							
L	324	339	389							
LS	379	402	452							
LB	149	164	214							
LBS	204	227	277							



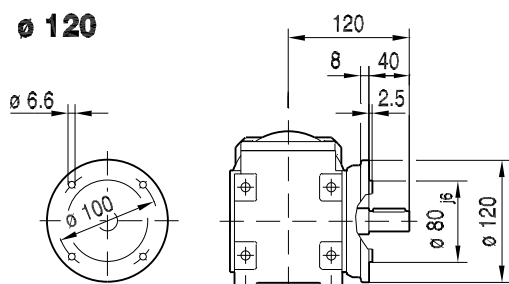
Spiroplan® Gearmotors
Dimension sheets [mm]

WF30..

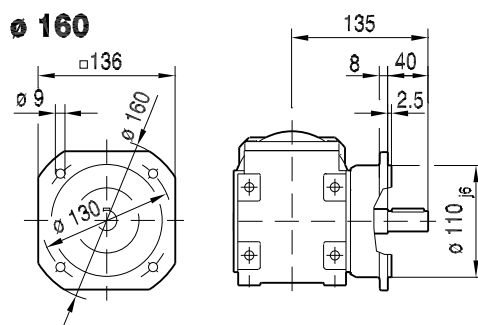
20 006 02 01



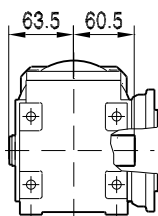
∅ 120



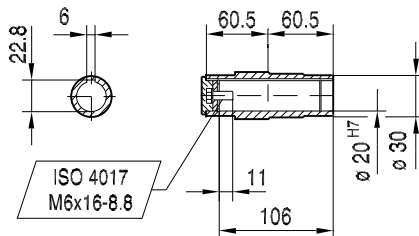
∅ 160



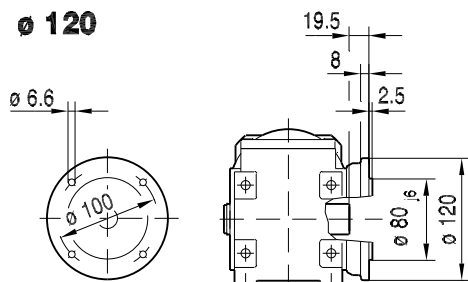
WAF30..



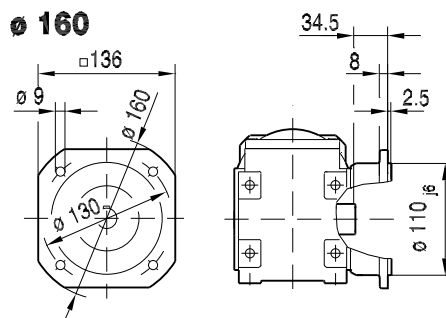
∅ 20 H7



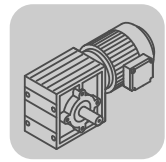
∅ 120



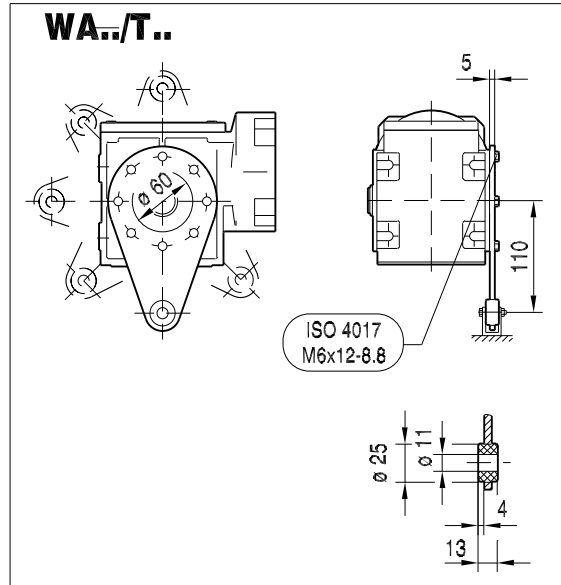
∅ 160



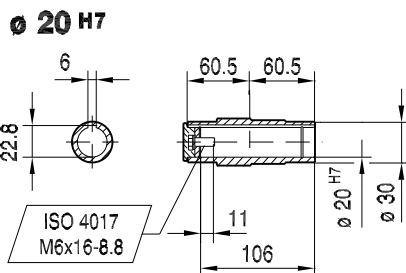
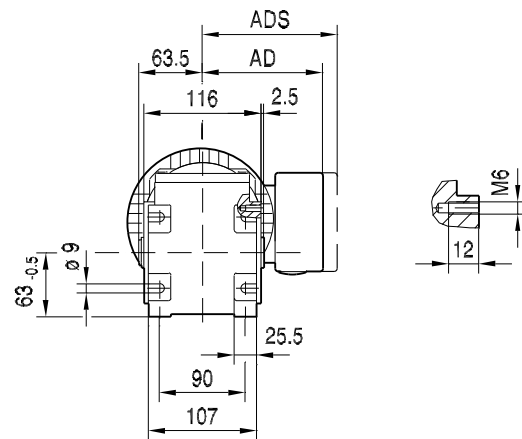
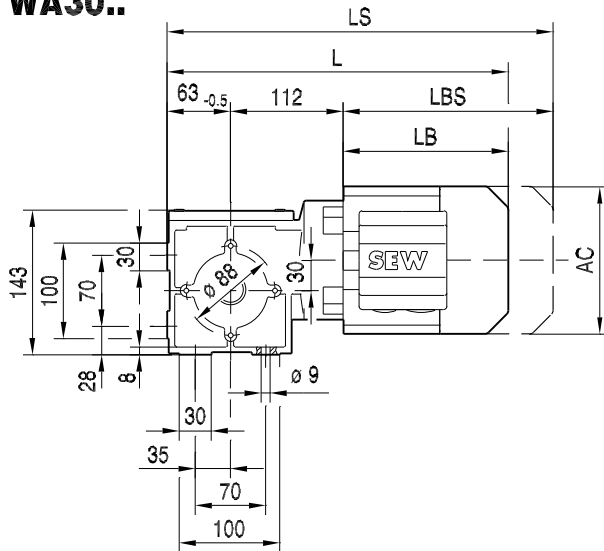
(→ 14)	DR63..	DT71D	DT80..							
AC	132	145	145							
AD	105	122	122							
ADS	105	127	127							
L	324	339	389							
LS	379	402	452							
LB	149	164	214							
LBS	204	227	277							



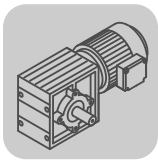
20 009 02 01



WA30..



(→ 14)	DR63..	DT71D	DT80..							
AC	132	145	145							
AD	105	122	122							
ADS	105	127	127							
L	324	339	389							
LS	379	402	452							
LB	149	164	214							
LBS	204	227	277							



Spiroplan® Gearmotors
Dimension sheets [mm]
